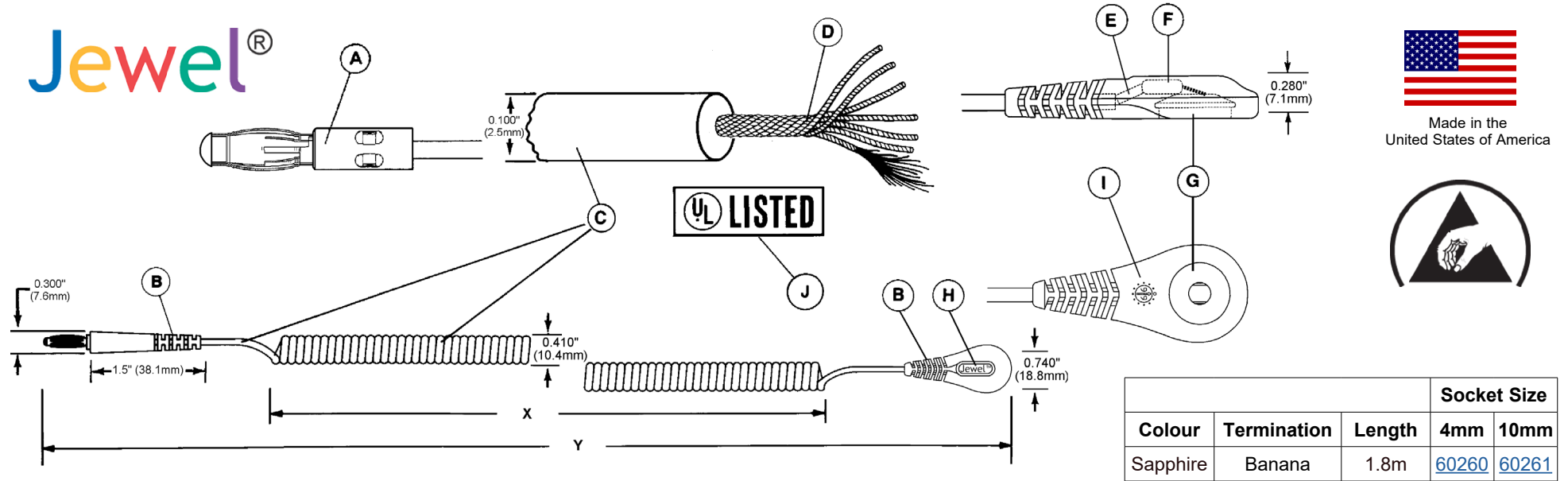


Jewel®



Made in the United States of America



UL LISTED

			Socket Size	
Colour	Termination	Length	4mm	10mm
Sapphire	Banana	1.8m	60260	60261

- A. Barrel type banana plug with machined contour spring support. Crimped uniformly from 4 sides for maximum strength. Fits industry standard banana jack $\geq 3.99\text{mm}$.
- B. Thermoplastic elastomer strain relief moulded on. Flex life average $>50,000,000$ cycles (per ANSI/ESD S1.1 Bending Life Test, greatly exceeding the 16,000 average cycle requirement). Break load average 13.5kg.
- C. Polyurethane wire insulation. Rapid retraction coiled cord compresses length with resulting benefit of less tangling and dragging along work surface. Break load average 13.5kg.
- D. Single T-3161 tinsel conductor. Consisting of 7 strands of polyester wrapped with copper. High flex life. Equivalent is 29 gauge (cir mil and/or ohms).
- E. Autosplice brass crimp secures conductors to resistor lead and provides stress relief for resistor.
- F. One megohm $\pm 5\%$, 1/4 watt, series resistor limits current.

- G. Spring loaded 4mm medical snap socket. Spring separation 3.18mm to 4.19mm. Provides 0.45kg - 2.27kg breakaway from 4mm snap stud (ANSI/ESD S1.1). Compatible with most major brands.
- H. Jewel® logo moulded in compliance with ANSI/ESD S1.1.
- I. Date coded with date of manufacture.
- J. Underwriters Laboratory Listing 90P1C when used with Desco Europe wristbands.

Designed to meet coiled cord for wristband requirements of EN 61340-5-1 and tested per its Clause A.1.

Jewel® Lifetime Limited Warranty
 Desco Europe expressly warrants that for a period of 1 year from the date of purchase, Desco Europe Jewel® Wrist Straps and Coiled Cords will be free of defects in material (parts) and workmanship (labour). In addition, normal use will not cause Coiled Cord resistor strain relief connection or Wristband 4mm snap stud to wear sufficiently to open path-to-ground circuit. Within the lifetime warranty period, a credit for purchase of replacement Desco Europe Jewel® products, or, at Desco Europe's option, the Desco Europe Jewel® product will be repaired or replaced free of charge. If product credit is issued, the amount will be calculated based upon the original invoice purchase price.

See drawing [60000.E](#) for wristband specifications.

Unless otherwise noted, tolerance $\pm 10\%$
 Specifications and procedures subject to change without notice.

Jewel® Coiled Cords

<h1>DESCO EUROPE</h1>	DESCO EUROPE 2A DUNHAMS LANE, LETCHWORTH GARDEN CITY, HERTFORDSHIRE, SG6 1BE, UK PHONE: +44 (0) 1462 672005 E-MAIL: Service@DescoEurope.com , INTERNET: DescoEurope.com	Drawing Number 60260.E	DATE: February 2018